

# Case Study

## Industrial Energy Efficiency



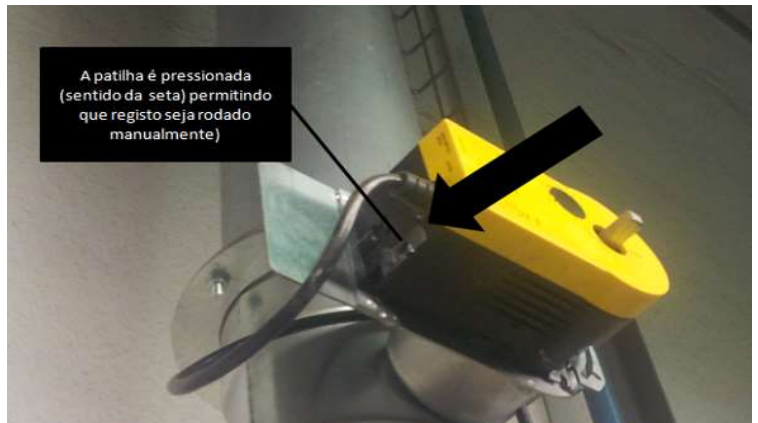
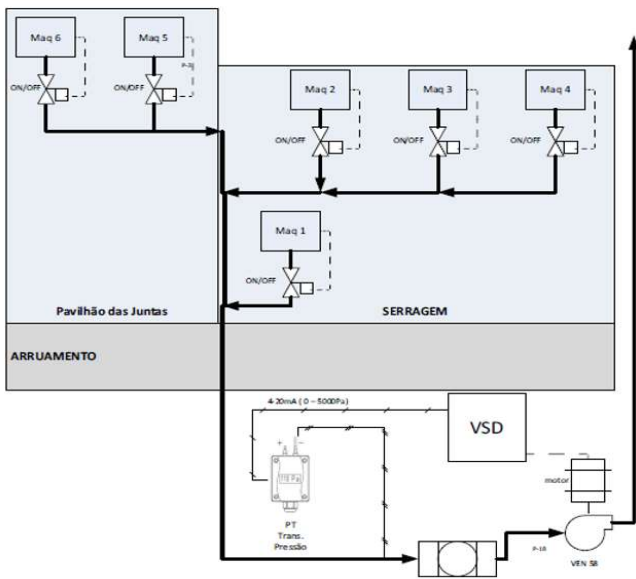
Sector:	<input checked="" type="checkbox"/> Industry	<input type="checkbox"/> Large Buildings	<input type="checkbox"/> Infraestruturas	<input type="checkbox"/> Small buildings / residential
Subsector:	Coek Processing			Year: 2012
Client:	Grupo Amorim - ACC Mozelos			Implementation (months): 2
Location:	Santa Maria da Feira (Northern Portugal)			Performance Contract (years): N/A
Type of Contract:	Performance contract, with pay-back guarantee			

### Project description:

In the cork industry, dust extraction systems are very common. During an energy audit, as per Portuguese Regulation SGCIE for industrial energy efficiency) EWEN recommended the installation of several energy efficiency measures. It was agreed to implement one of those emasures, under a performance contract ( with pay-back guarantee) that involved the optimization of a dust extraction system, including:

- Installation of automatic dampers, to close ducts connected to cork cutting machines , electrically interlocked with these machines;
- Installation of a 37kW VSD (variable speed drive) in the extraction fan motor, to be controlled by the vaccum in the extraction duct network.

The VSD was installed in parallel with the existing Star/Delta starter, which remained as a back-up in case of a failures of the VSD.



### Project results:

The project exceeded the original objective by 10%.  
 Operation manuals were issued by EWEN for the O&M of tyhe new components.  
 Training was given to the operators.  
 The final result of the project was validated together with the client, before the closure of the contract.

